

NDAA EYE-SIGHT

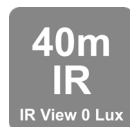
The new Eye-Sight series serves the security professionals seeking a professional line featuring outstanding image quality, full connectivity, and enhanced video analytics functions based on **Artificial Intelligence**.



DAI-340IPEN-MVF

40M IR 4MP DDA ANALYTICS MOTORIZED LENS DOME/TURRET ANTI-VANDAL CAMERA

Equipped with a 2.8-12mm motorized lens, this 4MP anti-vandal camera is designed for medium-distance surveillance (up to 40m) in indoor and outdoor scenarios. Intended for high-security area monitoring (such as banks, hotels, or chain stores) and to capture crime in the act, the camera features vandal-proof IK10 protection, which makes it extremely hard to sabotage. The camera offers broad possibilities for Analytics, from Face Detection to the outstanding DDA Analytics (Detect, Distinguish, Alert), which can perform object recognition and object counting. With various detection rules and triggers, the DAI-340IPEN-MVF camera will help end false alarms.



MAIN FEATURES

- 4MP
- EYE-SIGHT
- 2592×1520 Resolution
- 2.8-12mm Motorized Vari-Focal (94.3°-29.9°)
- 3D-DNR
- IP67, Ik10
- DDA Analytics
- 2-Way Audio

ANALYTICS

- General Analytics: Camera Tampering
- AI: (Object Recognition): Humans, 2/4 wheel vehicles
DDA Sterile Area
DDA Line Crossing
DDA Object Counting
- AI: (Face Detection): 10 Faces per frame



SPECIFICATIONS

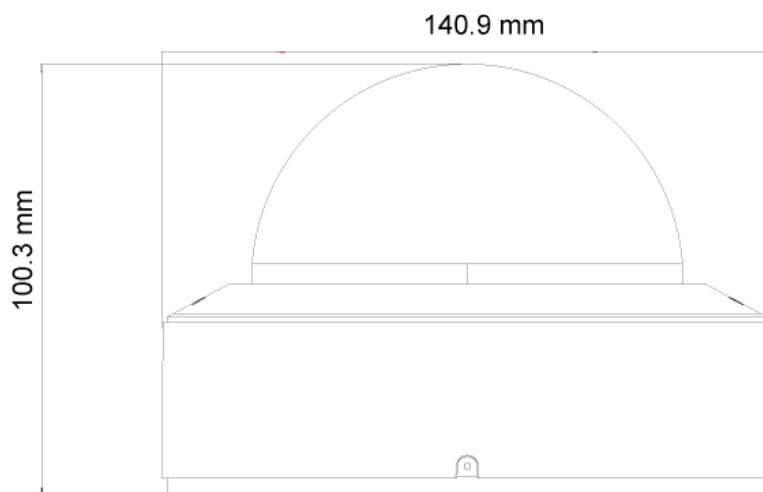
| | |
|----------------------|---|
| Image Sensor | 1/3" CMOS (16:9) |
| Effective Pixels | 2592X1520 |
| Electronic Shutter | 1/25s ~ 1/100000s |
| Frame Rate | 1-25/30FPS in Normal Mode. 1-50/60FPS in HFR Mode** |
| Day & Night | ICR |
| Min. Illumination | Day: 0.1lux / Night: 0.005lux (@F1.6, AGC on) 0lux with IR on |
| Audio compression | G.711A/G.711U |
| Communication | Two-way Audio |
| Image Settings | AWB, AGC Adjustable, Exposure Mode (Auto) Sharpness, Saturation, Brightness & Contrast Adjustable |
| Image Enhancement | True WDR (120dB), BLC, HLC, ROI |
| Noise Reduction | 3D-DNR |
| Image Orientation | Mirror/Flip |
| Privacy Zone | Yes |
| Motion Detection | Yes |
| Analytics | Object Detection (Sterile Area, Line Crossing, Object Counting), Face Detection (10 Faces per frame), Camera Tampering |
| Video Compression | H.265S/H.264S*, H.265+/H.264+/H.265/H.264/MJPEG |
| Resolution | 4MP / 2K / 3MP / 2MP / 1MP / D1 / QVGA / CIF |
| Multi-Stream | Master Stream: 4MP(2592x1520) / 2K (2560x1440) / 3MP / 2MP / 1MP Substream: 1MP/QVGA/D1/CIF Third Stream: QVGA/D1/CIF (1~30fps) |
| Bit rate | 64Kbps ~ 7Mbps@H.265 / 64Kbps ~ 8Mbps@H.264 |
| Encode Mode | VBR/CBR |
| Image Quality | Five levels under VBR; Free adjustment under CBR |
| IR Distance | 40m (2 High-Power IR LED) |
| Lens (Field of View) | 2.8-12mm MVF with Auto Focus (94.3°-29.9°) |

**1080p, no true-WDR

SPECIFICATIONS

| | |
|---------------------|---|
| Iris | DC Iris |
| Lens Mount | Ø14 Mount |
| Protection Rate | Water Proof: IP67, Vandal Proof: IK10 |
| Bracket | 3-Axis Bracket |
| Dimensions | Ø140.9x100.3mm |
| Weight (gross) | ~890g |
| Network | RJ45 (+PoE) |
| Power | DC Socket |
| Analog Video Output | CVBS out + Technician Port |
| Audio Connectivity | Built-in Microphone + Audio Input + Audio Output |
| SD Card | Event/Schedule based Main/Substream recording (Up to 128Gb) |
| Hard Reset Button | Yes |
| Alarm | Alarm in + Alarm out |
| Remote Monitoring | IE Browsing, VMS Software, Provision Cam2 Mobile App |
| User Access | Supports simultaneous monitoring of up to 10 users with multi-stream real-time transmission |
| Network Protocol | IPv4, IPv6, TCP, UDP, DHCP, NTP, DDNS, 802.1X, RTSP, Multicast, UPnP, Email, FTP, HTTPS, QoS, P2P |
| ONVIF | Yes |
| Ethernet | 100Mbps |
| PoE | Yes |
| Power Supply | DC12V/~780mA / PoE/~7.4W |
| Work Environment | -30°C~60°C, 10%~90% Humidity |
| Junction Box | PR-JB14IP66 |

DIMENSIONS



ACCESSORIES



PR-JB14IP66